

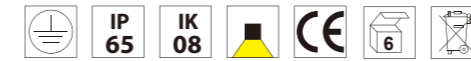
# KTBL1921/2/3/4/5

## 简述

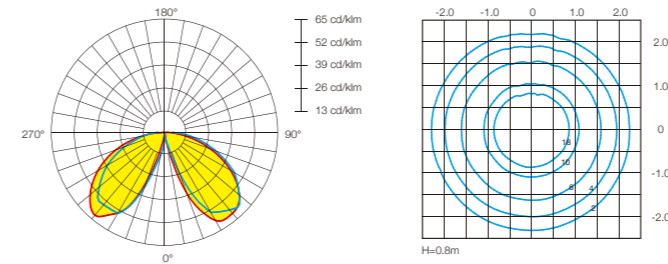
材料: 铝合金灯体  
 表面处理: 防紫外线静电喷涂  
 光学部件: PC透光罩

## Description

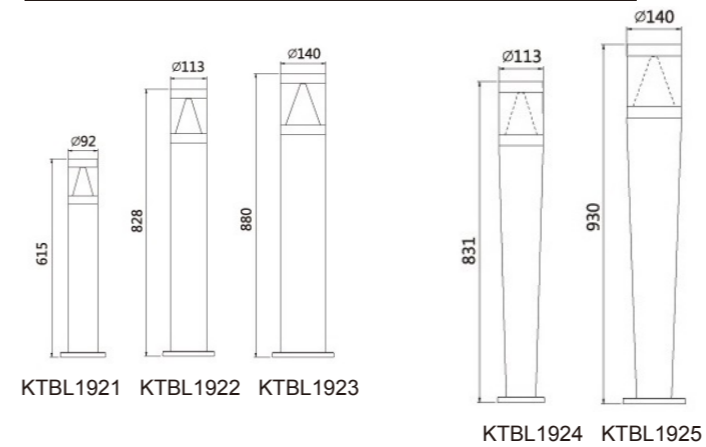
Material: Cast aluminum body.  
 Finishing: Surface anti-ageing electrostatic spray processing.  
 Optical system: PC diffuser.



## 配光曲线图 Photometric Data



## 尺寸简图 Dimensions



## 技术参数表 Technology Data

货号 Code	光源 Lamp	输入电压 Input voltage	功率 Output power	LED颗数 LED Pcs	流明输出 Lumen	净重 N.W.(kg)	毛重 G.W.(kg)	包装尺寸 Packing box size (mm)
KTBL1921-H615	SMD, With driver	90V-260V	4W	8	360	2.8	3.8	160×160×650 (内) 550×360×670 (外)
KTBL1922-H828	SMD, With driver	90V-260V	7W	14	630	3.2	4.2	160×160×850 (内) 550×360×870 (外)
KTBL1923-H880	SMD, With driver	90V-260V	9W	18	810	3.5	4.5	160×160×900 (内) 550×360×920 (外)
KTBL1924-H831	SMD, With driver	90V-260V	7W	14	630	3.0	4.0	160×160×850 (内) 550×360×870 (外)
KTBL1925-H930	SMD, With driver	90V-260V	9W	18	810	3.5	4.5	160×160×950 (内) 550×360×970 (外)